



**GIK** ACOUSTICS

SOLUTIONS. INNOVATIONS. QUALITY.

ACOUSTIC PANEL  
FIXINGS INSTRUCTIONS



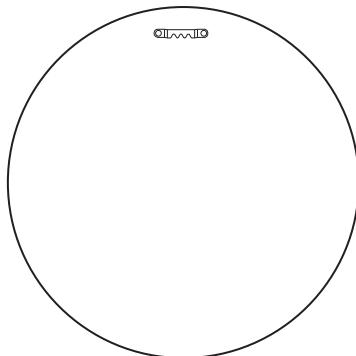
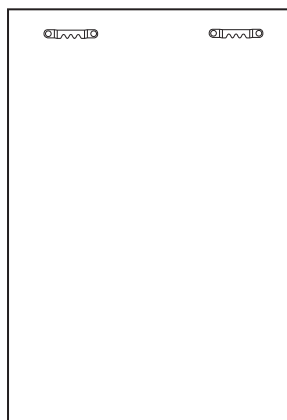
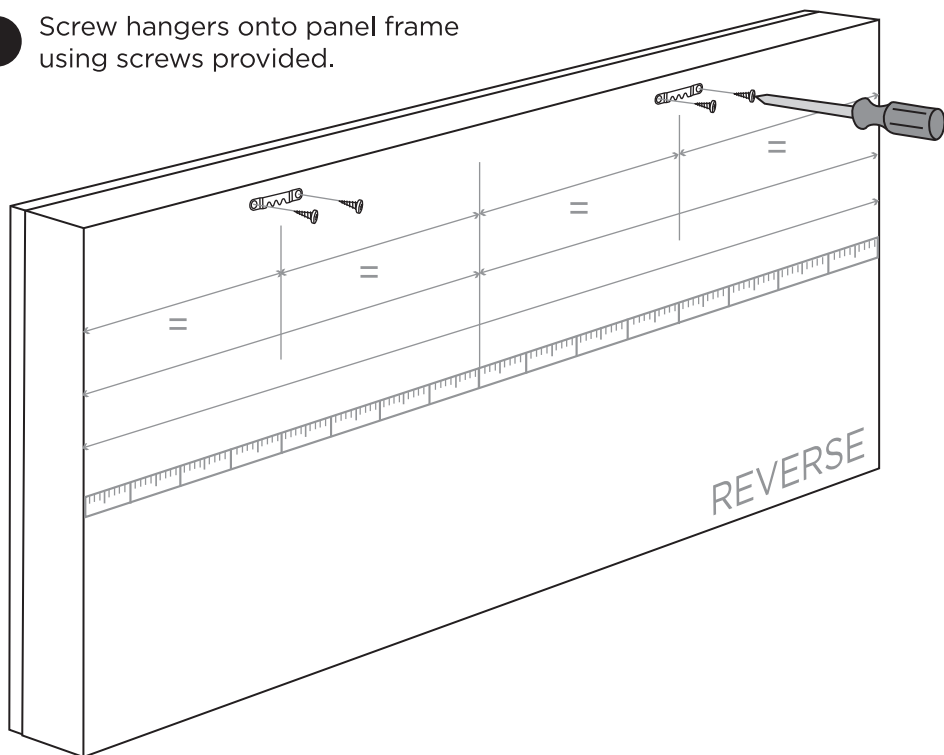
# CONTENTS

- 4** Sawtooth Hangers
- 6** French Cleats
- 8** Boom Stand Brackets
- 10** Ceiling Cloud Brackets
- 12** Wooden Legs Stand
- 14** Portable Isolation Booth
- 16** Picture Wire & Hooks
- 17** Soffit Keyholes
- 18** Freestanding Panel Feet

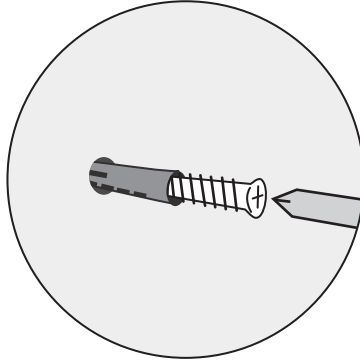
# SAWTOOTH HANGERS



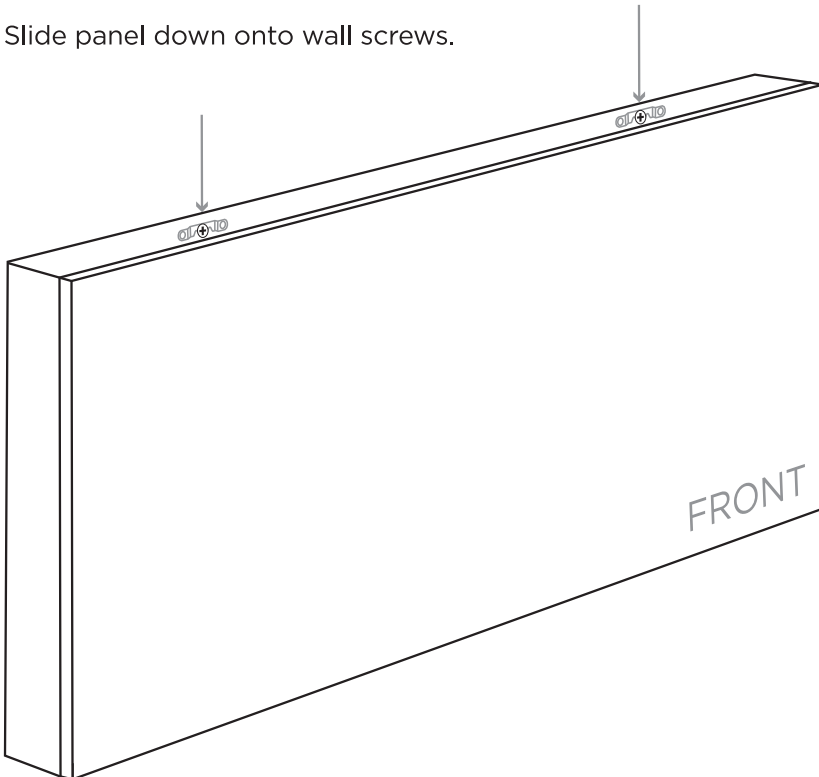
- 1 Screw hangers onto panel frame using screws provided.



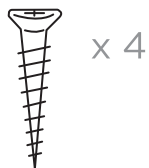
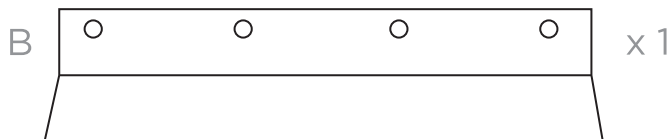
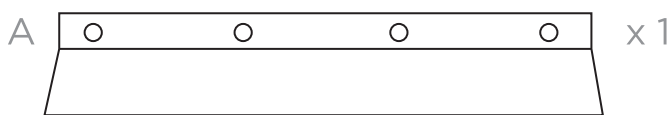
- 2** Drill holes in wall correct distance apart from centre of each sawtooth hanger. Ensure correct plugs and screws are used for wall type.



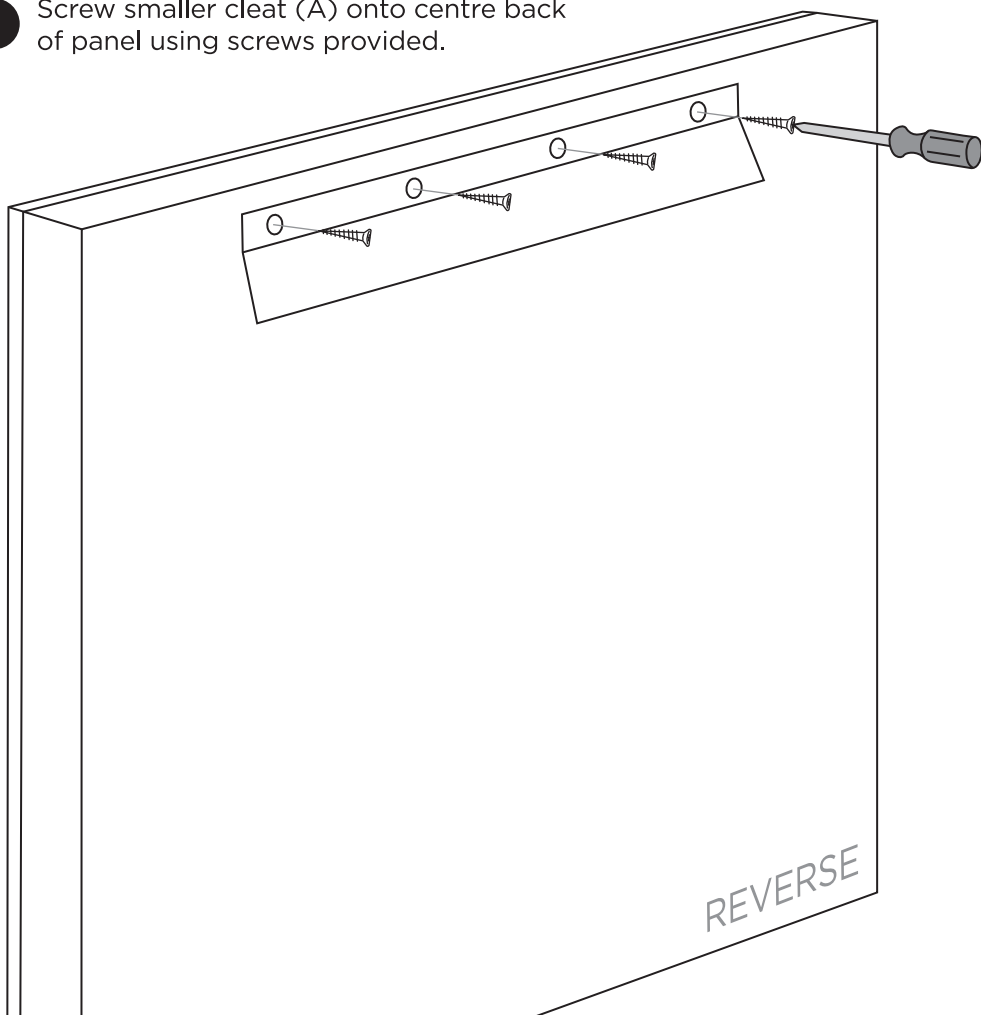
- 3** Slide panel down onto wall screws.



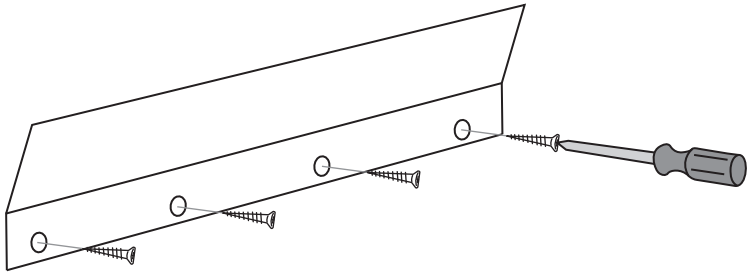
# FRENCH CLEATS



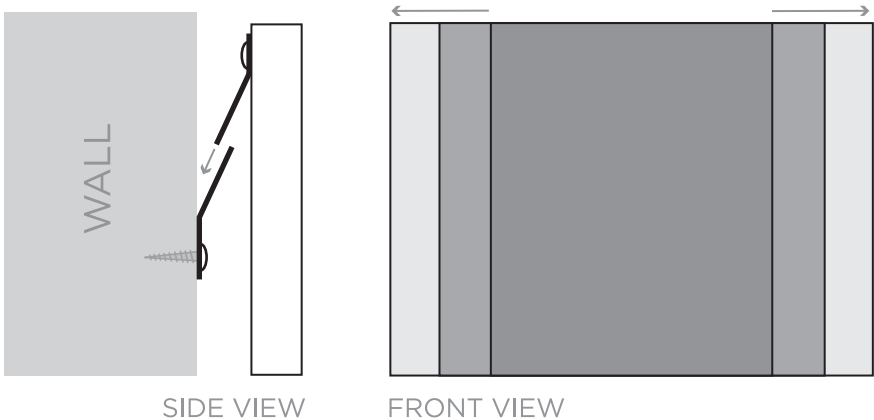
- 1** Screw smaller cleat (A) onto centre back of panel using screws provided.



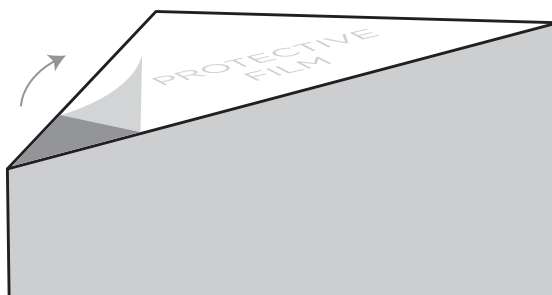
- 2** Attach larger cleat (B) to wall using correct plugs and screws for wall type.



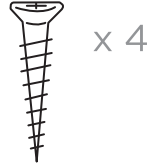
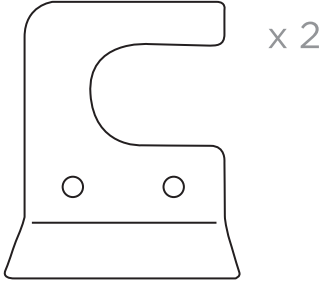
- 3** Slide panel down onto wall cleat so cleats interlock. Panel can be adjusted left or right without tipping.



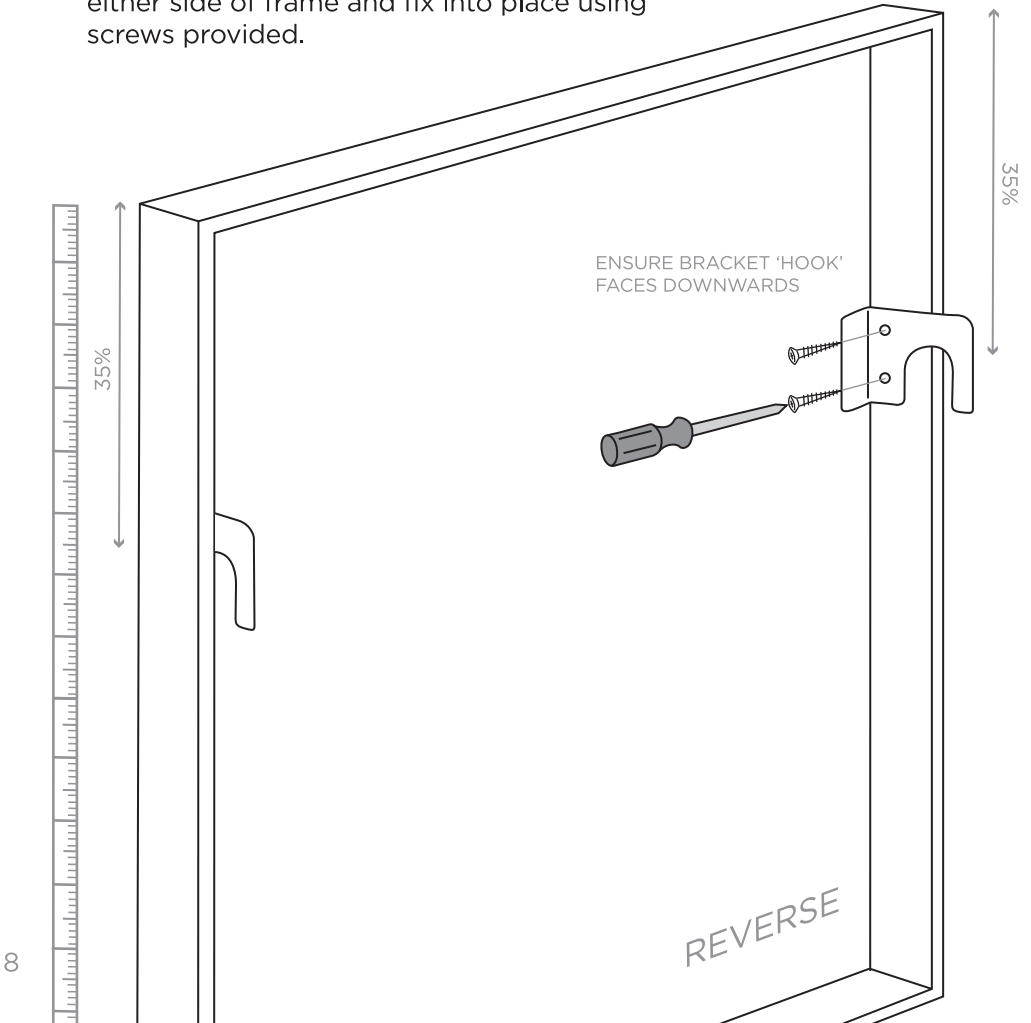
- 4** French cleats can also be used to fit corner Tri Trap panels. Remove plastic protective sheet from top and bottom of panel. Fix cleats as per previous instructions (1-3) on 2 sides.



# BOOM STAND BRACKETS

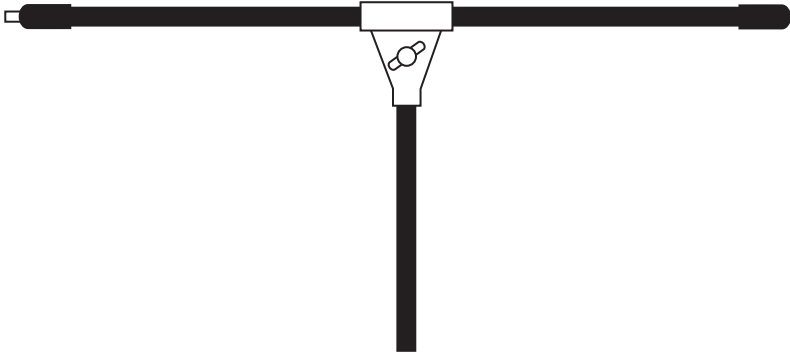


- 1 Measure and mark at 35% of panel height (from top of panel on both sides). Place brackets against either side of frame and fix into place using screws provided.

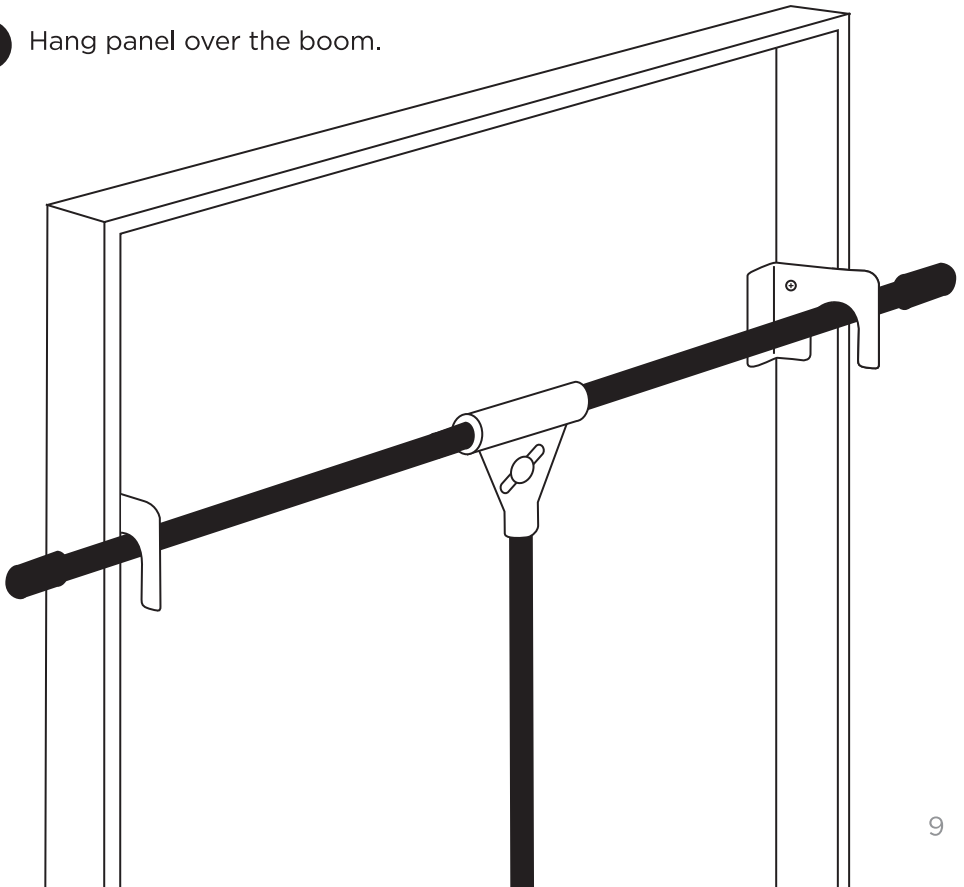




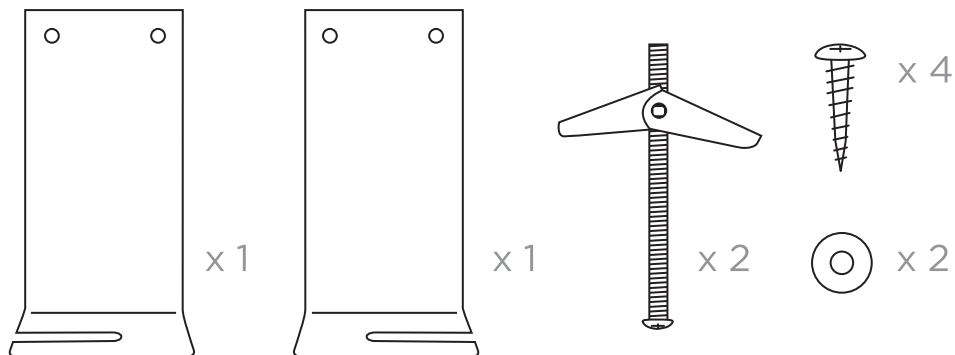
- 2** Set boom stand so the boom is horizontal and wider than the panel.



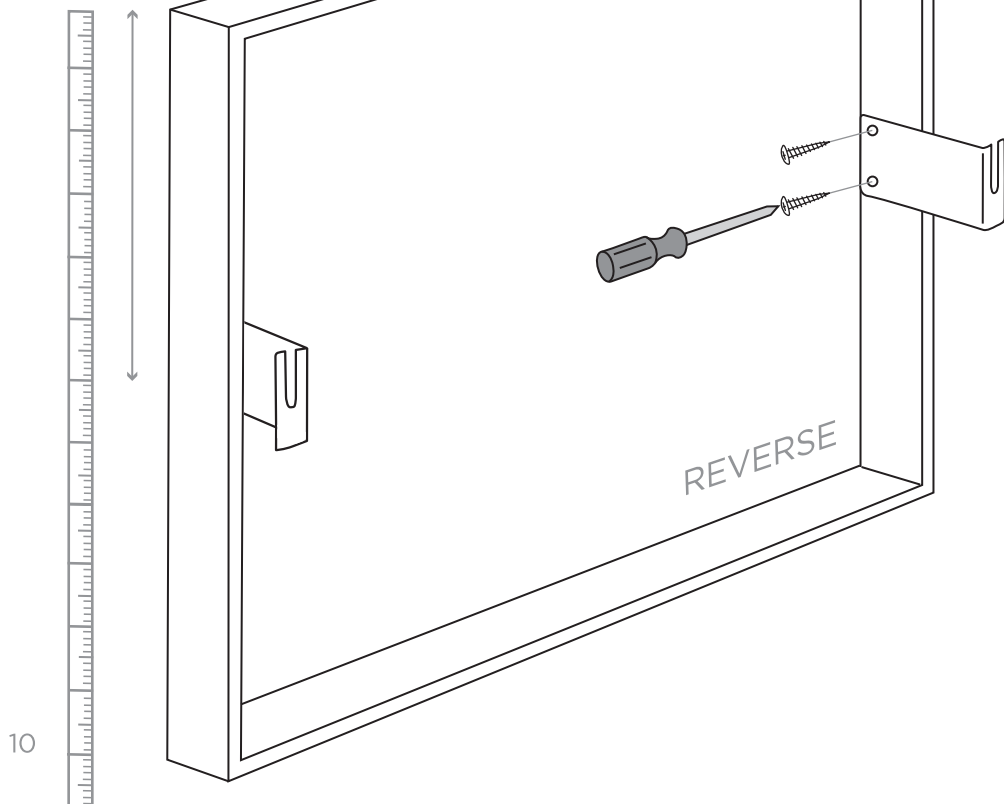
- 3** Hang panel over the boom.



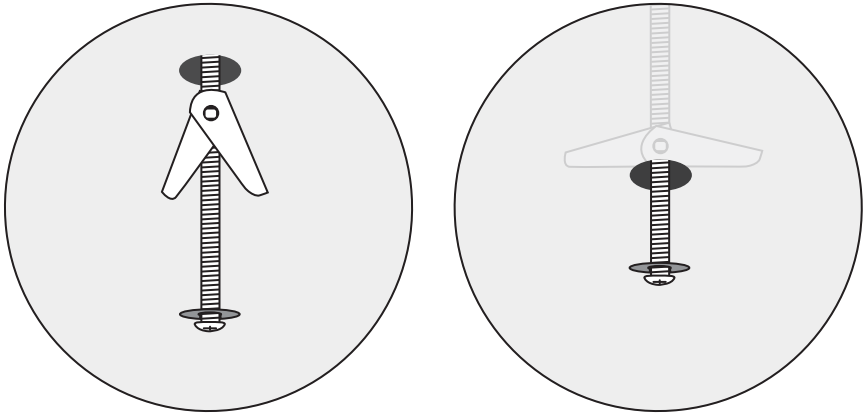
# CEILING CLOUD BRACKETS



- 1 Measure the panel and mark the centre. Screw brackets to frame at this centre mark with screws provided.

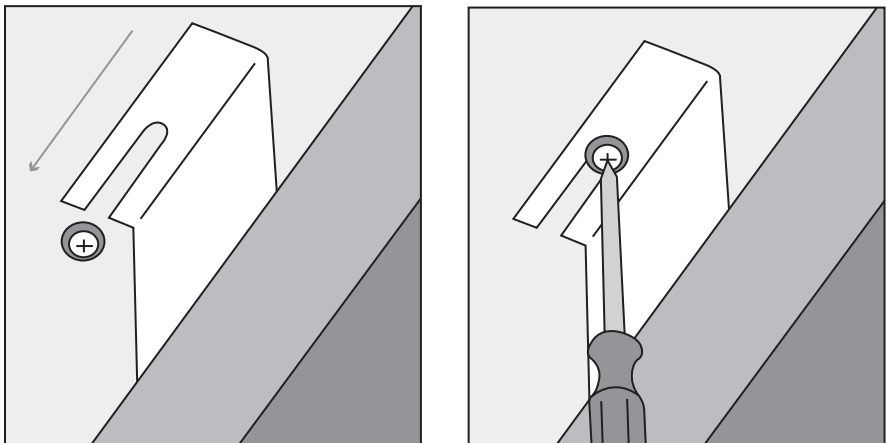


- 2** Measure between the 2 brackets and then mark this measurement on the ceiling where you'll need to install the toggle bolts. Use a 15mm drill bit to make the holes. Ensure the washer is next to the screw head on the toggle bolt then slide it up into the hole, pulling it down to secure.

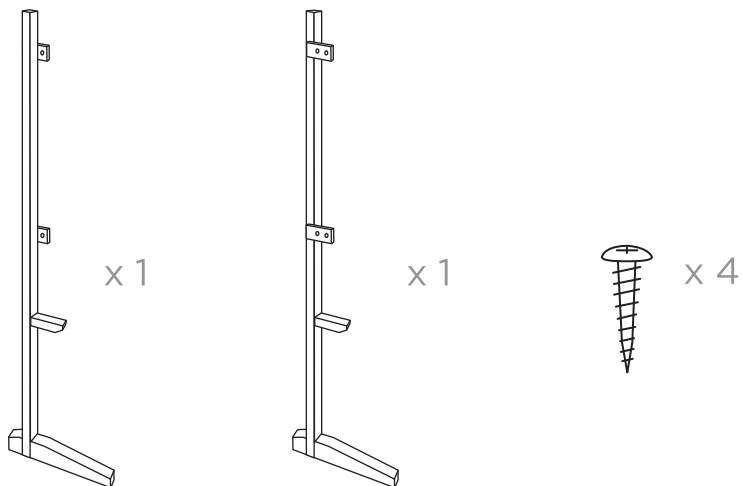


**PLEASE NOTE:** These toggle bolts are for **plasterboard ceilings only**. Please use correct fixings for ceiling type.

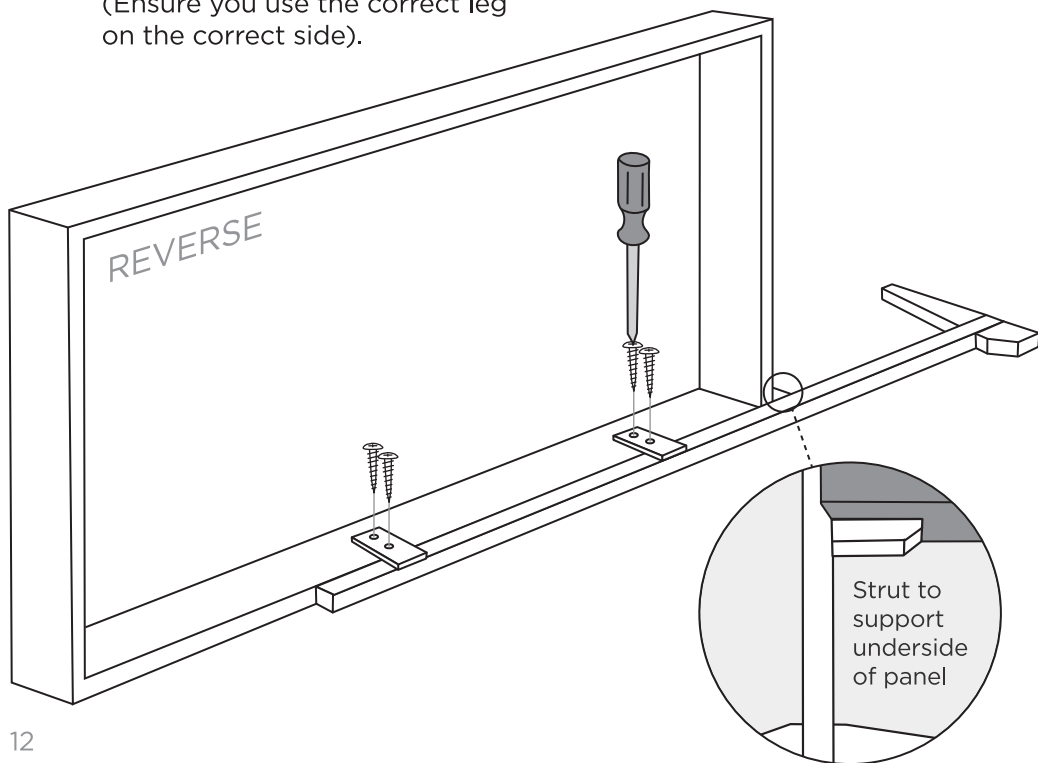
- 3** Lift panel up into position, slide brackets onto screws between washers and ceiling. Tighten both screws to secure panel in place.



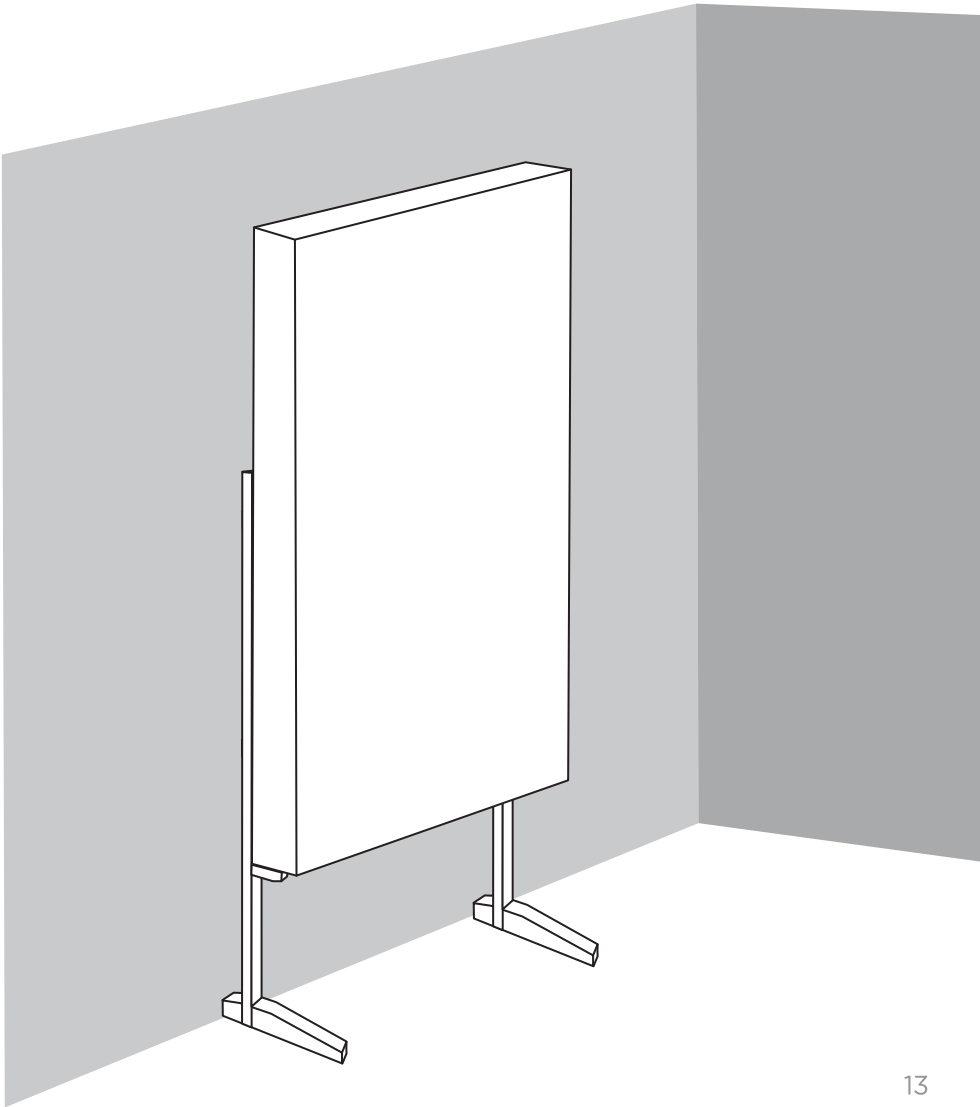
# WOODEN LEGS STAND



- 1** Place panel on its side. Position leg next to panel with foot facing towards front and support strut flush against bottom of panel. Screw in place using screws provided. (Ensure you use the correct leg on the correct side).

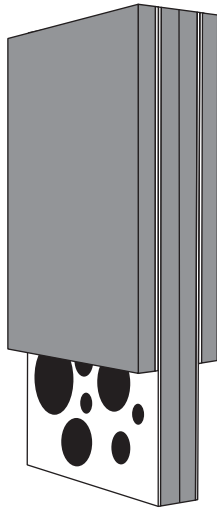


- 2** Flip the panel over and repeat the steps on the other side.
- 3** Stand the panel up on its legs and place against a wall for extra support.

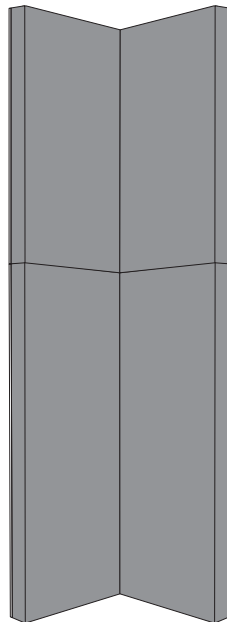
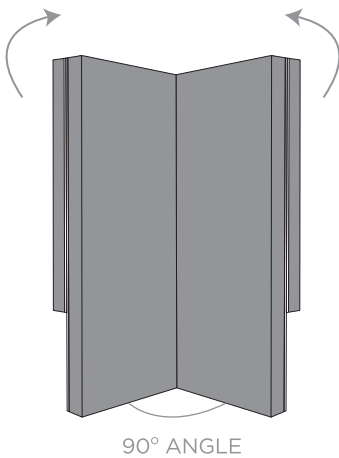


# PORTABLE ISOLATION BOOTH

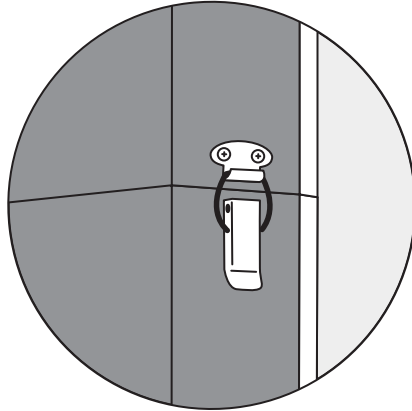
- 1 Your booth will arrive folded.



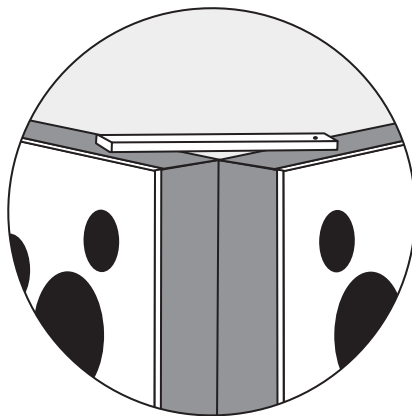
- 2 To set up, simply pull sides apart to a 90° angle with hinge at back and flip both sides up vertically.



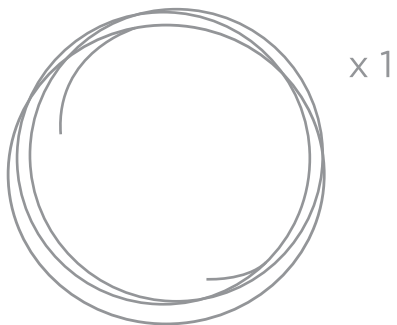
- 3** Secure top and bottom panels with side latches.



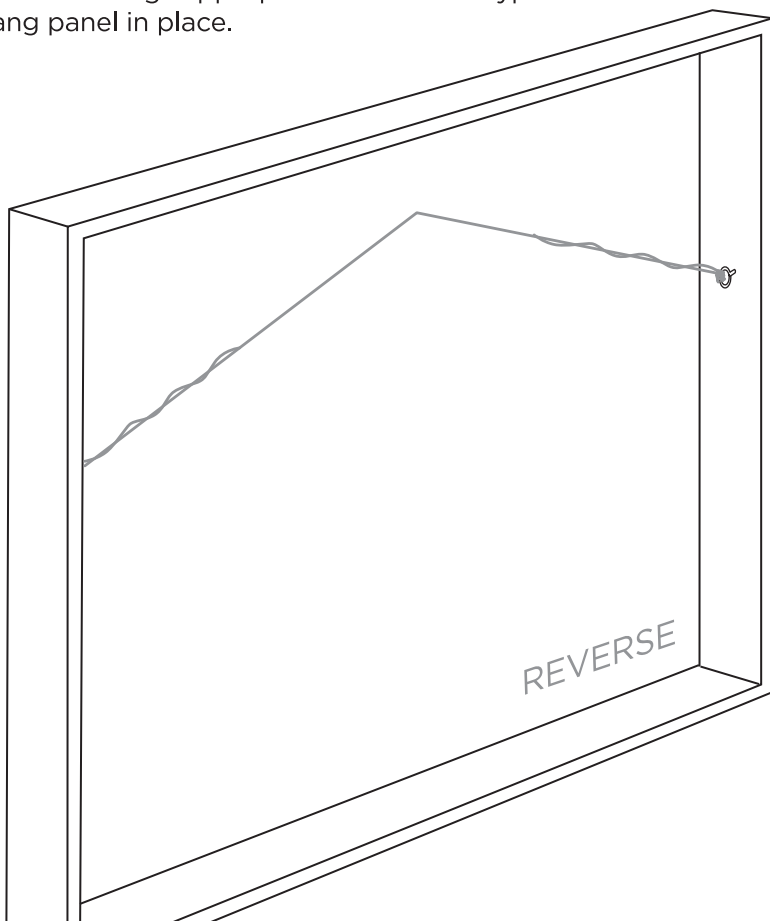
- 4** Slide pre-fixed supporting slat across to sit between the 2 panels for additional support.



# PICTURE WIRE & HOOKS



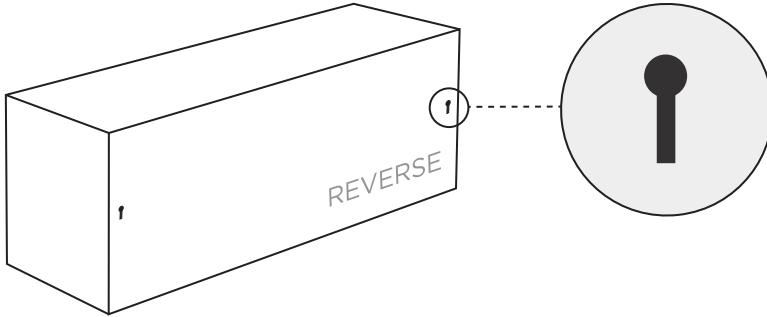
- 1** Place wire through one of the pre-installed eye hooks and tie 3 or 4 knots on each side.
- 2** Use wall fixings appropriate to the wall type and hang panel in place.



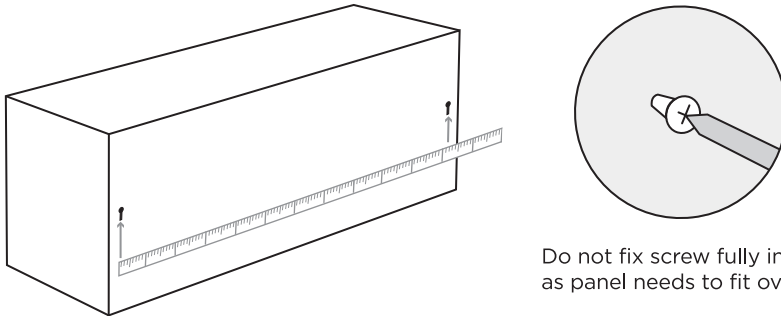


# SOFFIT KEYHOLES

- 1 Our bass traps have built in keyhole slots on either side. Stickers indicate where the keyhole is so you can cut through the fabric covering to expose the hole.

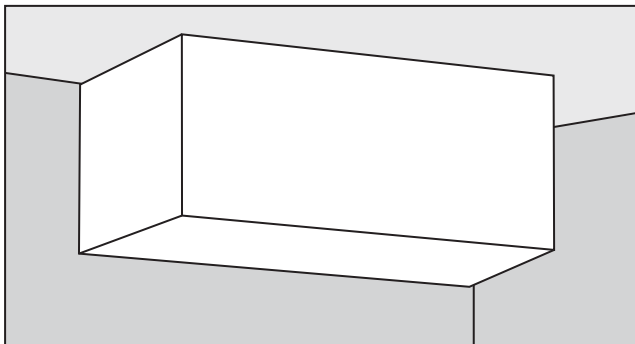


- 2 Measure width between centres of keyholes and mark on wall. Use appropriate screws and plugs for wall type. Check screw head fits through keyhole and along channel comfortably before fixing.

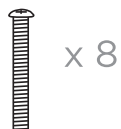
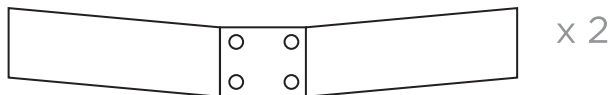


Do not fix screw fully into wall as panel needs to fit over it.

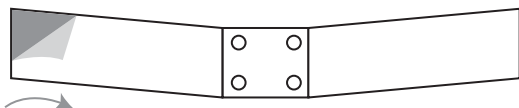
- 3 Push panel onto screws and pull downwards to secure into place.



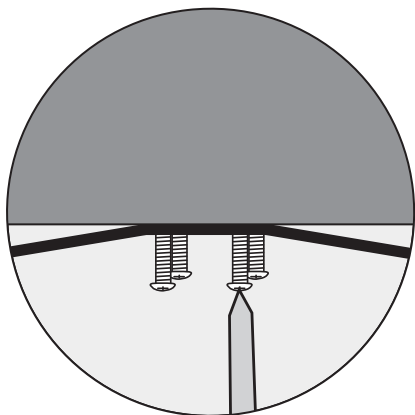
# FREESTANDING PANEL FEET



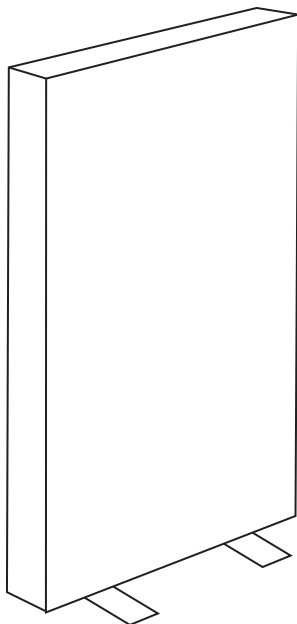
- 1 Remove protective film covering from feet.



- 2 Screws come pre-drilled in the panel. Turn panel onto side, undo screws, line up pre-drilled foot holes with panel holes and screw into place securely.



- 3 Stand upright on feet.



For a full list of which fixings are required for each of our acoustic panels please go to:

**[gikacoustics.co.uk](http://gikacoustics.co.uk)**

*OR*

Speak to one of our experts on:

**+44 (0) 20 3815 8608**

*OR*

check out our instructional videos on our You Tube channel.



GIK Acoustics Europe Ltd  
Unit F, Perseverance Mills,  
Giles Street, Bradford, BD6 3HS

**0203 815 8608**  
**[customerservice.eu@gikacoustics.com](mailto:customerservice.eu@gikacoustics.com)**  
**[gikacoustics.co.uk](http://gikacoustics.co.uk)**

